

Alcor MR16 LED - 3W

High-Power Solid-State Lighting

Project Name: _____

Catalog No.: _____

Date: _____

Features



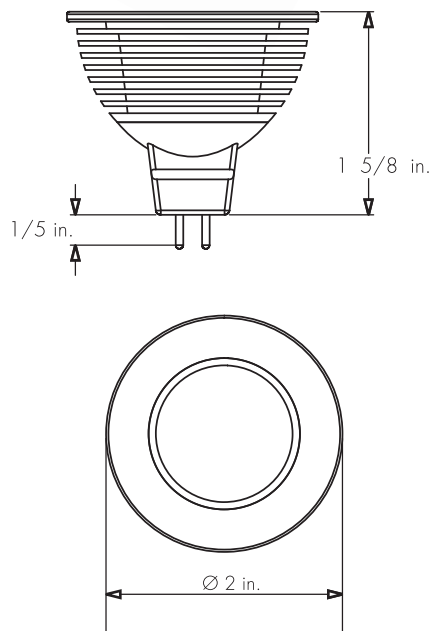
- ENERGY SAVING
- 3W lamp retrofits 25W halogen MR16s
- Consumes a fraction of energy than halogen MR16s
- 3W lamp: 50,000 hours of continuous light output
- Low voltage power requirement
- Finely tuned optic lens provides solid elliptical beams
- Built-in LED Driver
- Mercury free, lead free, and RoHS compliant
- UL Listed for U.S. and Canada



Product Specifications

LED Type	High-Power 1W LEDs
LED Brand	Cree or Philips
Socket Type	GU5.3
Power Requirement	12V AC/DC
Power Consumption	3 Watts
Compatibility	Most Electronic & Magnetic Transformers
Number of LEDs	1 LED
Hours: 3W Lamp	50,000 Hrs Maintenance-Free
Beam Angles	25°, 40°, 60°
Color Temperatures	3000K, 4300K, 6000K
Color Rendering Index	70-80 CRI
Rating	Indoor Applications
Housing	Optimized Heat Dissipating Aluminum, Machine-Cut & Silver Satin-Anodized
Lumen Maintenance	70% of Original Light Output @ 50K Hrs
Operating Temp	-40°F (-40°C) to 104°F (40°C)
Warranty	3 Years
Certification	UL Listed (U.S. & Canada) RoHS Compliant

Dimensions



Applications

- Halogen MR16 Retrofits
- Track Lighting Systems
- Trade Show Exhibits
- Commercial Interiors
- Residential Interiors
- Cabinet Lighting
- Merchandising Displays
- Kitchen & Bath
- Shelves



Alcor MR16 LED - 3W

High-Power Solid-State Lighting

Ordering Information



Alcor MR16 LED Spotlamps - 3 Watts - Non-Dimmable

Cat. No.	Watts	# of LEDs	Beam Angle	Voltage	Socket Type	Color Temperature
ALM16003012W	3	1	25°	12V AC/DC	GU5.3	3000K Warm White
ALM16003014W	3	1	40°	12V AC/DC	GU5.3	3000K Warm White
ALM16003016W	3	1	60°	12V AC/DC	GU5.3	3000K Warm White
ALM16003012N	3	1	25°	12V AC/DC	GU5.3	4300K Neutral White
ALM16003014N	3	1	40°	12V AC/DC	GU5.3	4300K Neutral White
ALM16003016N	3	1	60°	12V AC/DC	GU5.3	4300K Neutral White
ALM16003012C	3	1	25°	12V AC/DC	GU5.3	6000K Cool White
ALM16003014C	3	1	40°	12V AC/DC	GU5.3	6000K Cool White
ALM16003016C	3	1	60°	12V AC/DC	GU5.3	6000K Cool White

NOTE:

All specifications and technical information are subject to change without notice. We reserve the right to alter, change or withdraw any of our products without notice.

