

Alcor II LED PAR30 - 12W

High-Power LED Spot Lamp

Project Name: _____

Catalog No.: _____

Date: _____

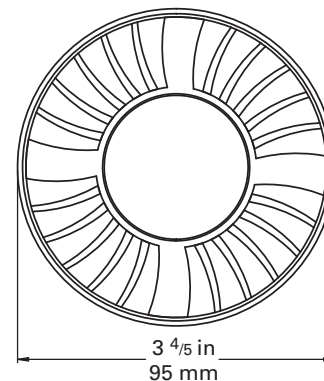
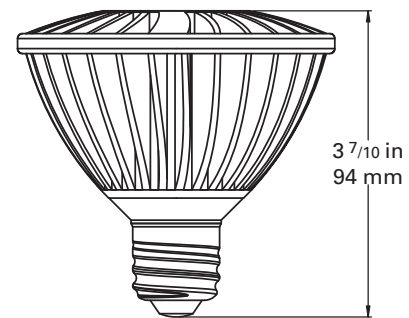
Features

- ENERGY SAVING
- Retrofits 75 Watt halogen PAR30s
- 35K hours of continuous light output
- Fully dimmable
- Consumes a fraction of energy than halogen PARs
- Rated for indoor applications
- Finely tuned optic lens provides solid elliptical beams
- Built-in LED Driver
- Mercury free, lead free, and RoHS compliant
- UL Listed for U.S. and Canada

Product Specifications

LED Type	High-Power LEDs
LED Brand	Samsung
Socket Type	E26 Medium Socket
Power Requirement	120V / 240V AC (50 / 60 Hz)
Power Consumption	12 Watts
Beam Angles	25°, 40°, 60°, 140°
Number of LEDs	9 LEDs
Hours	35K Hrs Maintenance-Free
Rating	Indoor Applications
Housing	Optimized Heat Dissipating Aluminum, Cast Aluminum, Powder Coated
Lumen Maintenance	70% of Original Light Output @ 35K Hrs
Operating Temp	-20° F (-29° C) to 113° F (45° C)
Warranty	3 Years
Certification	UL Listed (U.S. & Canada) RoHS Compliant

Dimensions



Output - Dimmable

	Warm White	Neutral White	Cool White
Color Temperatures	3000K	4000K	5000K
Lumens	897	956	956
CRI	80	80	70

Applications

- PAR Retrofits
- Accent Lighting
- Recessed Cans
- Residential Interiors
- Displays
- New Building Construction
- Trade Show Exhibits
- Commercial Interiors

Alcor II LED PAR30 - 12W

High-Power LED Spot Lamp



Ordering Information

Alcor PAR30 LED Spotlamps - Dimmable

Cat. No.	Watts	# of LEDs	Beam Angle	Lumens	Voltage	Socket Type	Color Temperature
AL12P30D830/25	12	9	25°	897	120V / 240V AC	E26 Med	3000K Warm White
AL12P30D830/40	12	9	40°	897	120V / 240V AC	E26 Med	3000K Warm White
AL12P30D830/60	12	9	60°	897	120V / 240V AC	E26 Med	3000K Warm White
AL12P30D830/140	12	9	140°	897	120V / 240V AC	E26 Med	3000K Warm White
AL12P30D840/25	12	9	25°	956	120V / 240V AC	E26 Med	4000K Neutral White
AL12P30D840/40	12	9	40°	956	120V / 240V AC	E26 Med	4000K Neutral White
AL12P30D840/60	12	9	60°	956	120V / 240V AC	E26 Med	4000K Neutral White
AL12P30D840/140	12	9	140°	956	120V / 240V AC	E26 Med	4000K Neutral White
AL12P30D750/25	12	9	25°	956	120V / 240V AC	E26 Med	5000K Cool White
AL12P30D750/40	12	9	40°	956	120V / 240V AC	E26 Med	5000K Cool White
AL12P30D750/60	12	9	60°	956	120V / 240V AC	E26 Med	5000K Cool White
AL12P30D750/140	12	9	140°	956	120V / 240V AC	E26 Med	5000K Cool White

NOTE: All design and specifications are subject to change without notice.
Lumens are calculated based on 40° beam pattern.