

# Alcor II LED PAR20 - 9W

High-Power LED Spot Lamp

Project Name: \_\_\_\_\_

Catalog No.: \_\_\_\_\_

Date: \_\_\_\_\_

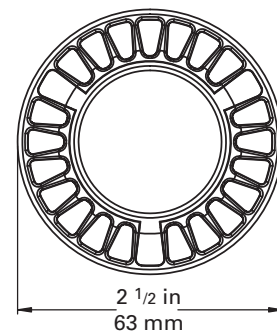
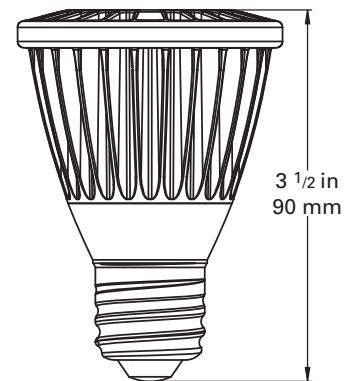
## Features

- ENERGY SAVING
- Retrofits 50 Watt halogen PAR20s
- 35K hours of continuous light output
- Fully dimmable
- Consumes a fraction of energy than halogen PARs
- Rated for indoor applications
- Finely tuned optic lens provides solid elliptical beams
- Built-in LED Driver
- Mercury free, lead free, and RoHS compliant
- UL Listed for U.S. and Canada

## Product Specifications

LED Type	High-Power LEDs
LED Brand	Samsung
Socket Type	E26 Medium Socket
Power Requirement	120V / 240V AC (50 / 60 Hz)
Power Consumption	9 Watt
Beam Angles	25°, 40°, 60°, 140°
Number of LEDs	7 LEDs
Hours	35K Hrs Maintenance-Free
Rating	Indoor Applications
Housing	Optimized Heat Dissipating Aluminum, Cast Aluminum, Powder Coated
Lumen Maintenance	70% of Original Light Output @ 35K Hrs
Operating Temp	-20° F (-23° C) to 113° F (45° C)
Warranty	3 Years
Certification	UL Listed (U.S. & Canada) RoHS Compliant

## Dimensions



## Output - 9W

	Warm White	Neutral White	Cool White
Color Temperatures	3000K	4000K	5000K
Lumens	625	690	690
CRI	80	80	70

## Applications

- PAR Retrofits
- Accent Lighting
- Recessed Cans
- Residential Interiors
- Displays
- New Building Construction
- Trade Show Exhibits
- Commercial Interiors

# Alcor II LED PAR20 - 9W

High-Power LED Spot Lamp



## Ordering Information

### Alcor PAR20 LED Spotlamps - Dimmable

Cat. No.	Watts	# of LEDs	Beam Angle	Lumens	Voltage	Socket Type	Color Temperature
AL9P20D830/25	9	7	25°	625	120V / 240V AC	E26 Med	3000K Warm White
AL9P20D830/40	9	7	40°	625	120V / 240V AC	E26 Med	3000K Warm White
AL9P20D830/60	9	7	60°	625	120V / 240V AC	E26 Med	3000K Warm White
AL9P20D830/140	9	7	140°	625	120V / 240V AC	E26 Med	3000K Warm White
AL9P20D840/25	9	7	25°	690	120V / 240V AC	E26 Med	4000K Neutral White
AL9P20D840/40	9	7	40°	690	120V / 240V AC	E26 Med	4000K Neutral White
AL9P20D840/60	9	7	60°	690	120V / 240V AC	E26 Med	4000K Neutral White
AL9P20D840/140	9	7	140°	690	120V / 240V AC	E26 Med	4000K Neutral White
AL9P20D750/25	9	7	25°	690	120V / 240V AC	E26 Med	5000K Cool White
AL9P20D750/40	9	7	40°	690	120V / 240V AC	E26 Med	5000K Cool White
AL9P20D750/60	9	7	60°	690	120V / 240V AC	E26 Med	5000K Cool White
AL9P20D750/140	9	7	140°	690	120V / 240V AC	E26 Med	5000K Cool White

NOTE: All design and specifications are subject to change without notice.  
Lumens are calculated based on 40° Beam pattern.