

Alcor II LED MR16 - 6W

High-Power LED Spot Lamp

Project Name: _____

Catalog No.: _____

Date: _____

Features

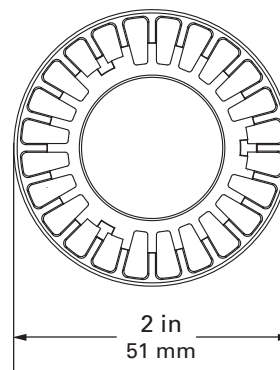
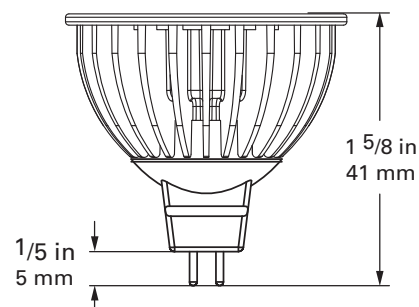
- ENERGY SAVING
- Retrofits 50 Watt halogen MR16s
- 35K hours of continuous light output
- Fully dimmable
- Consumes a fraction of energy than halogen MR16s
- Low voltage power requirements
- Finely tuned optic lens provides solid elliptical beams
- Built-in LED Driver
- Mercury free, lead free, and RoHS compliant
- UL Listed for U.S. and Canada



Product Specifications

LED Type	High-Power LEDs
LED Brand	Samsung
Socket Type	GU5.3
Power Requirement	12V AC/DC
Power Consumption	6 Watts
Compatibility	Magnetic & Most Electronic Transformers
Beam Angles	25°, 40°, 60°
Number of LEDs	4 LEDs
Hours	35K Hrs Maintenance-Free
Rating	Indoor Applications
Housing	Optimized Heat Dissipating Aluminum, Cast Aluminum, Powder Coated
Lumen Maintenance	70% of Original Light Output @ 35K Hrs
Operating Temp	-40° F (-40° C) to 104° F (40° C)
Warranty	3 Years
Certification	UL Listed (U.S. & Canada) RoHS Compliant

Dimensions



Output

	Warm White	Neutral White	Cool White
Color Temperatures	3000K	4000K	5000K
Lumens	435	475	475
CRI	80	80	70

Applications

- Halogen MR16 Retrofits
- Track Lighting Systems
- Trade Show Exhibits
- Residential Interiors
- Commercial Interiors
- Cabinet Lighting
- Merchandising Displays
- Kitchen & Bath
- Shelves

Alcor II LED MR16 - 6W

High-Power LED Spot Lamp



Ordering Information

Alcor MR16 LED Spotlamps - 6 Watts - Dimmable

Cat. No.	Watts	# of LEDs	Beam Angle	Lumens	Voltage	Socket Type	Color Temperature
AL6M16D830/25	6	4	25°	435	12V AC/DC	GU5.3	3000K Warm White
AL6M16D830/40	6	4	40°	435	12V AC/DC	GU5.3	3000K Warm White
AL6M16D830/60	6	4	60°	435	12V AC/DC	GU5.3	3000K Warm White
AL6M16D840/25	6	4	25°	475	12V AC/DC	GU5.3	4000K Neutral White
AL6M16D840/40	6	4	40°	475	12V AC/DC	GU5.3	4000K Neutral White
AL6M16D840/60	6	4	60°	475	12V AC/DC	GU5.3	4000K Neutral White
AL6M16D750/25	6	4	25°	475	12V AC/DC	GU5.3	5000K Cool White
AL6M16D750/40	6	4	40°	475	12V AC/DC	GU5.3	5000K Cool White
AL6M16D750/60	6	4	60°	475	12V AC/DC	GU5.3	5000K Cool White

NOTE: All design and specifications are subject to change without notice.
Lumens are calculated based on 40° beam pattern.