

Alcor LED A19 Lamp - 7W

High-Power Solid-State Lighting

Project Name: _____

Catalog No.: _____

Date: _____

Features

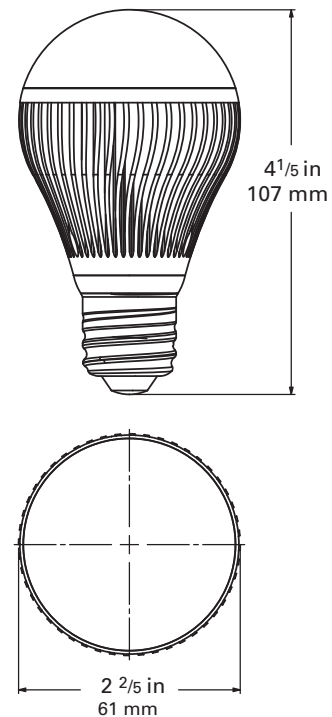
- ENERGY SAVING
- 30K hours of continuous light output
- Fully dimmable
- Replaces standard A19 incandescent lamps
- Consumes a fraction of energy than incandescents
- Lowers site maintenance costs by reducing relamping
- Built-in LED Driver
- Mercury free, lead free, and RoHS compliant
- UL Listed for U.S. and Canada



Product Specifications

| | |
|-------------------|---|
| LED Type | Philips or Samsung |
| Socket Type | E26 Medium Socket |
| Power Requirement | 120 VAC (60 Hz) |
| Power Consumption | 7 Watts |
| Hours | 30K Hrs Maintenance-Free |
| Color Temperature | 3000K Warm White 4300K Neutral White (Special Order) 6000K Cool White (Special Order) |
| Rating | Indoor Applications |
| Housing | Optimized Heat Dissipating Aluminum, Machine-Cut & Silver Satin-Anodized |
| Lumen Maintenance | 70% of Original Light Output @ 30K Hrs |
| Operating Temp | -40° F (-40° C) to 104° F (40° C) |
| Warranty | 3 Years |
| Certification | UL Listed (U.S. & Canada) RoHS Compliant |

Dimensions



Output

| | Warm White | Neutral White | Cool White |
|--------------------|------------|---------------|------------|
| Color Temperatures | 3000K | 4300K | 6000K |
| Lumens | 575 | 600 | 625 |
| CRI | 80 | 75 | 70 |

Applications

- Halogen A19 Retrofit
- Track Lighting Systems
- Trade Show Exhibits
- Residential Interiors
- Commercial Interiors
- Down Lighting
- Merchandising Displays
- Kitchen & Bath

Alcor LED A Lamp - 7W

High-Power Solid-State Lighting



Ordering Information

Alcor A19 Lamp LED - 7 Watts - Dimmable

| Cat. No. | Watts | Bulb Type | Lumens | Voltage | Socket Type | Color Temperature | CRI |
|--------------|-------|-----------|--------|----------------|-------------|---------------------|-----|
| ALB19507200W | 7 | A-Type | 575 | 120V / 240V AC | E26 Med | 3000K Warm White | 80 |
| ALB19507200N | 7 | A-Type | 600 | 120V / 240V AC | E26 Med | 4300K Neutral White | 80 |
| ALB19507200C | 7 | A-Type | 625 | 120V / 240V AC | E26 Med | 6000K Cool White | 70 |

NOTE: All design and specifications are subject to change without notice.